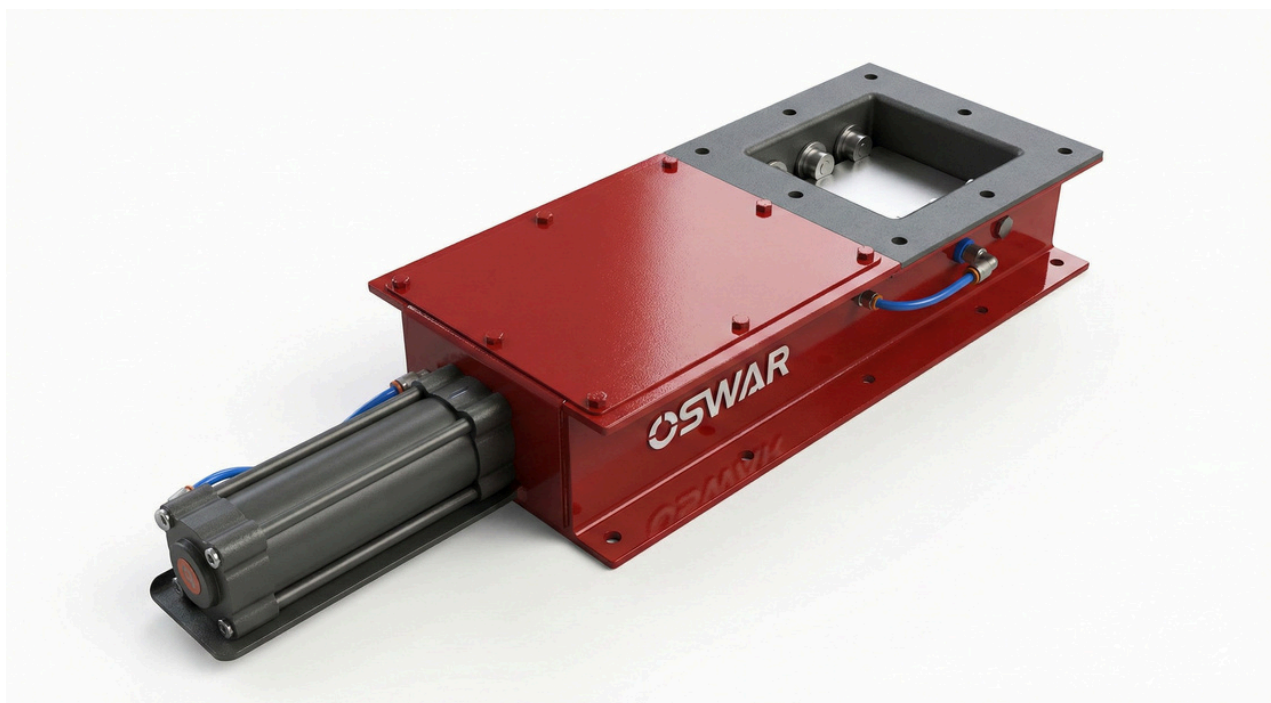



# SLIDE GATE VALVE

RELIABLE FLOW ISOLATION FOR  
BULK MATERIAL SYSTEMS



**OSWAR**  
rotocorp

The background image shows a dimly lit industrial facility with various pieces of machinery, including large rollers and conveyor systems. In the foreground, a red slide gate valve is prominently displayed, featuring a blue handle and the 'OSWAR' logo. The overall atmosphere is industrial and professional.

Oswar Rotocorp's Slide Gate Valves are engineered to provide reliable flow isolation and controlled discharge in bulk material handling systems. Designed for integration beneath silos, hoppers, conveyors, and process equipment, these valves ensure smooth opening and closing performance under demanding industrial conditions.

Manufactured with heavy-duty construction and precision-guided sliding mechanisms, the Slide Gate Valves deliver dependable shut-off capability while minimizing material leakage and operational wear.

## KEY ADVANTAGES

ROBUST  
ISOLATION  
PERFORMANCE

HEAVY-DUTY  
STRUCTURAL  
DESIGN

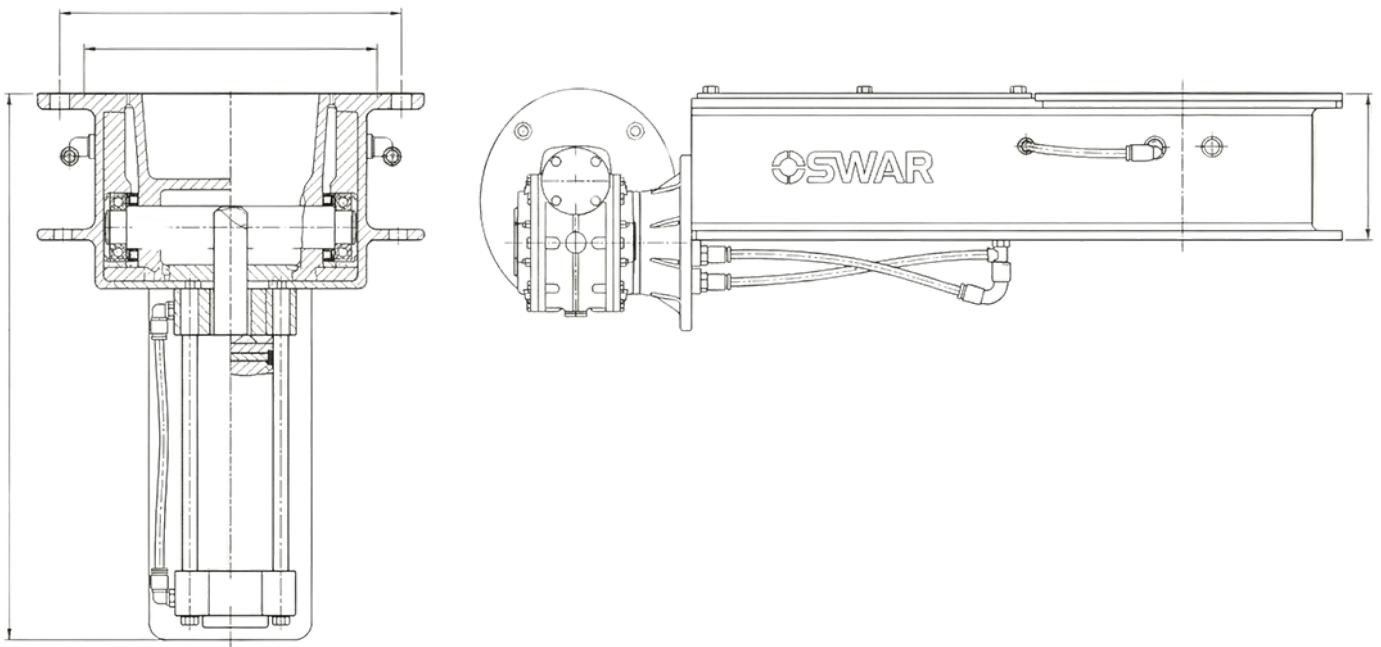
SMOOTH &  
PRECISE SLIDING  
MECHANISM

MULTIPLE  
ACTUATION  
OPTIONS

# BUILT FOR STRENGTH & OPERATIONAL CONTROL

The Slide Gate Valves are constructed using precision-machined frames and reinforced sliding plates to ensure stable operation under material load.

The guided slide mechanism minimizes misalignment and ensures consistent sealing during operation. Wear-resistant materials and surface treatments enhance durability in abrasive applications.



## ENGINEERING FEATURES

- Heavy-duty steel construction
- Reinforced sliding plate design
- Precision-guided slide mechanism
- Wear-resistant material options
- Dust-reducing sealing configuration

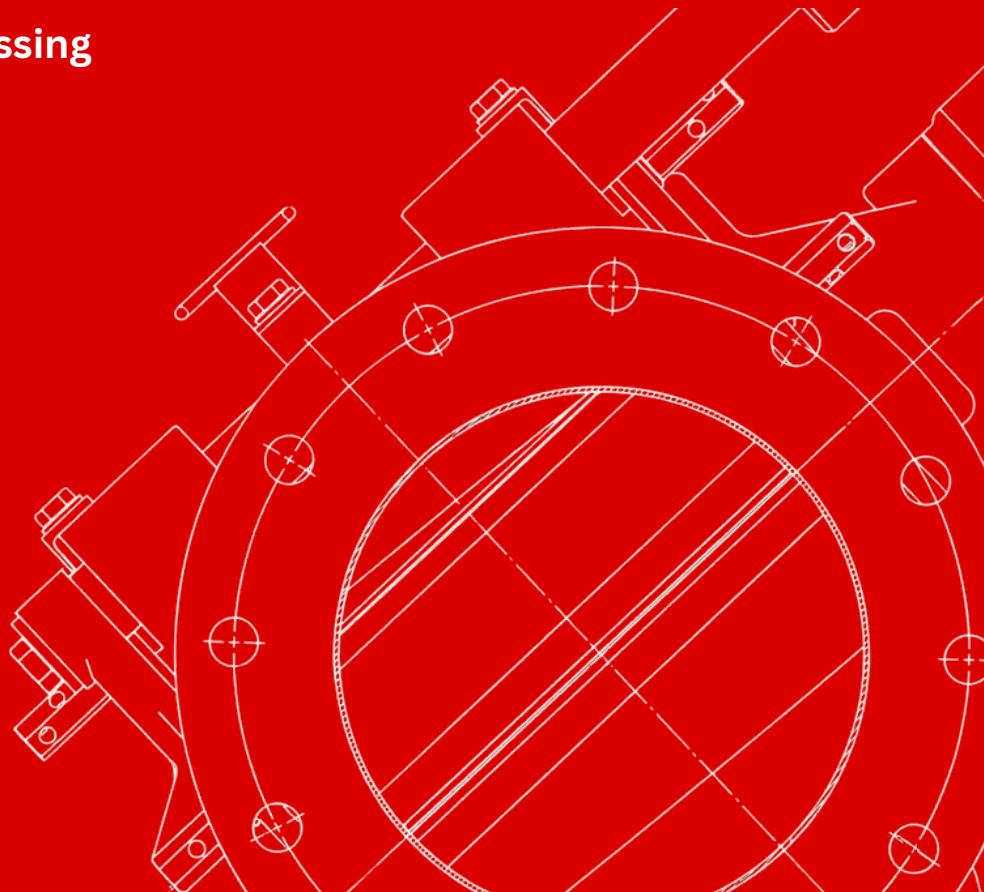
# APPLICATIONS & INDUSTRIAL USE

## Typical Applications:

- Silo & Hopper Outlet Isolation
- Conveyor Discharge Points
- Screw Conveyor Inlet/Outlet Control
- Dust Collection Systems
- Bulk Material Transfer Lines

## Industries Served:

- Cement Manufacturing
- Power Generation Plants
- Mining & Mineral Processing
- Steel & Lime Industries



# OSWAR

## rotocorp

### **Corporate Office**

Jaipur, Rajasthan India  
Nagpur, Maharashtra India

### **Sales Inquiries**

[info@oswarrotocorp.com](mailto:info@oswarrotocorp.com)

### **Helpline**

[+44 7917 128505](tel:+447917128505) | +91 77422 36474

**Copyright** © 2026 OSWAR ROTOCORP. All Rights Reserved. OSWAR® is a registered trademark of **OSWAR ROTOCORP**. This brochure makes no offers, representations or warranties (express or implied), and information and data contained in this brochure are for general reference only and may change at any time.